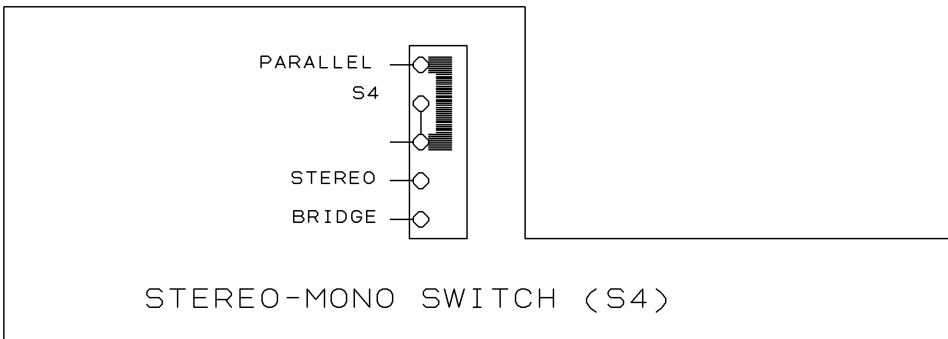
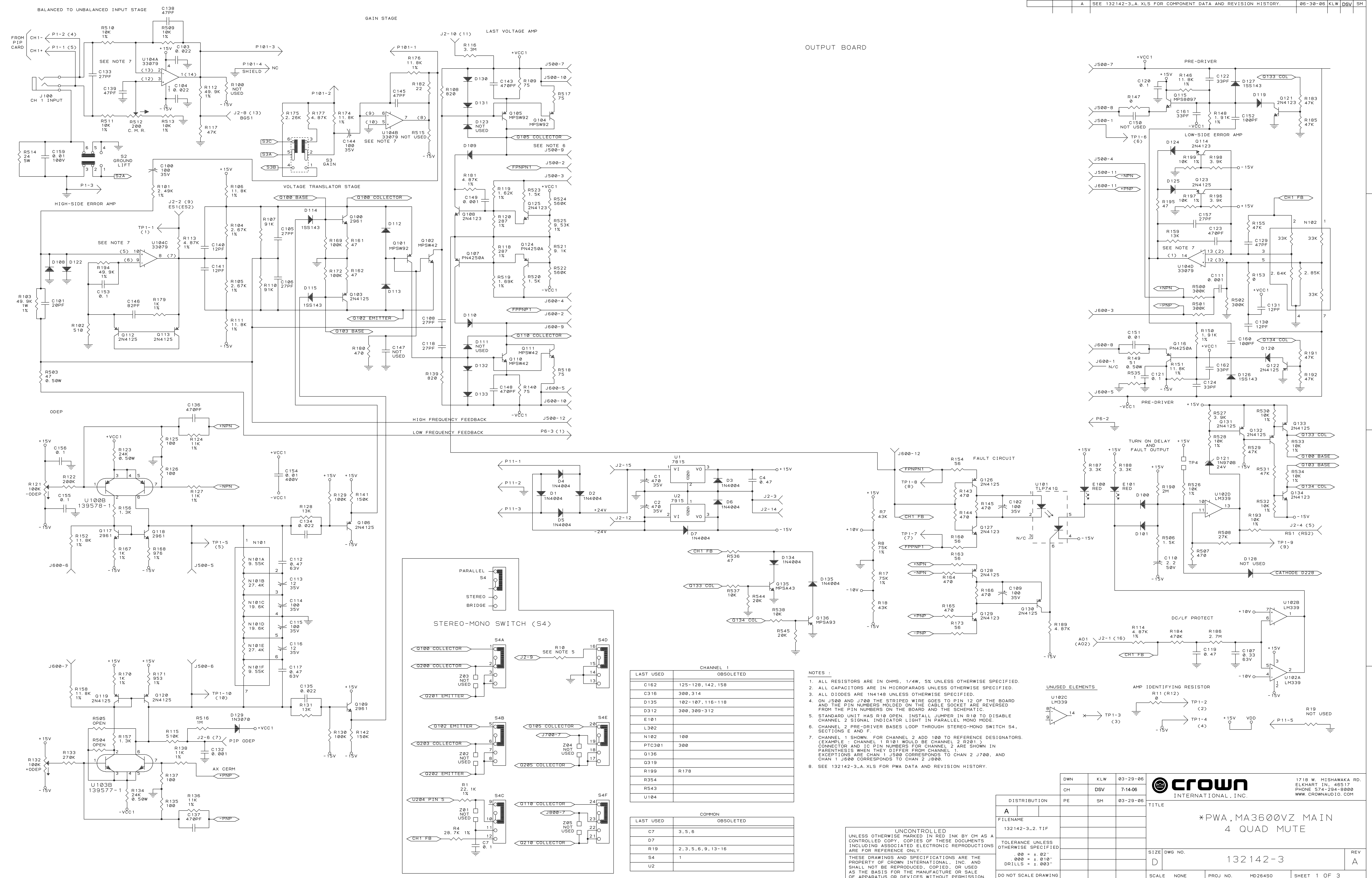


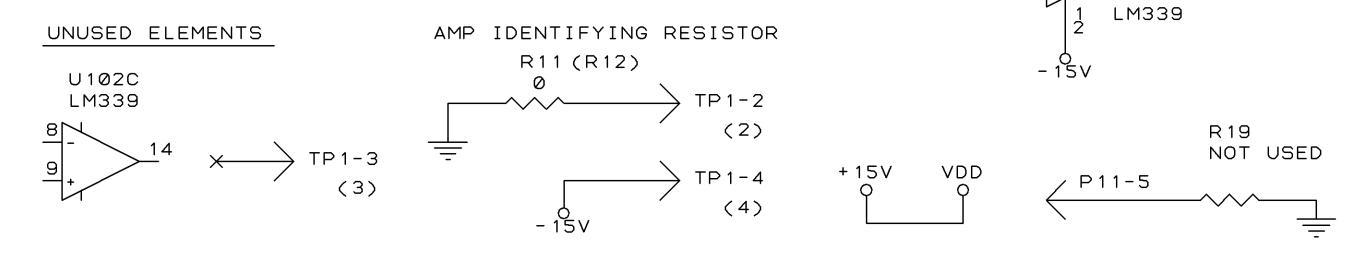
REVISION HISTORY				APPROVED	
E. C. N.	ZONE	REV	DESCRIPTION	DATE	PE
		A	SEE 132142-3.A.XLS FOR COMPONENT DATA AND REVISION HISTORY.	06-30-06	DSV



CHANNEL 1	
LAST USED	OBSOLETE
C162	125-128, 142, 158
C316	300, 314
D135	102-107, 116-118
D312	300, 309-312
E101	
L302	100
N102	100
PTC301	300
Q136	
Q319	
R199	R178
R354	
RS43	
U104	

COMMON	
LAST USED	OBSOLETE
C7	3, 5, 6
D7	
R19	2, 3, 5, 6, 9, 13-16
S4	1
U2	

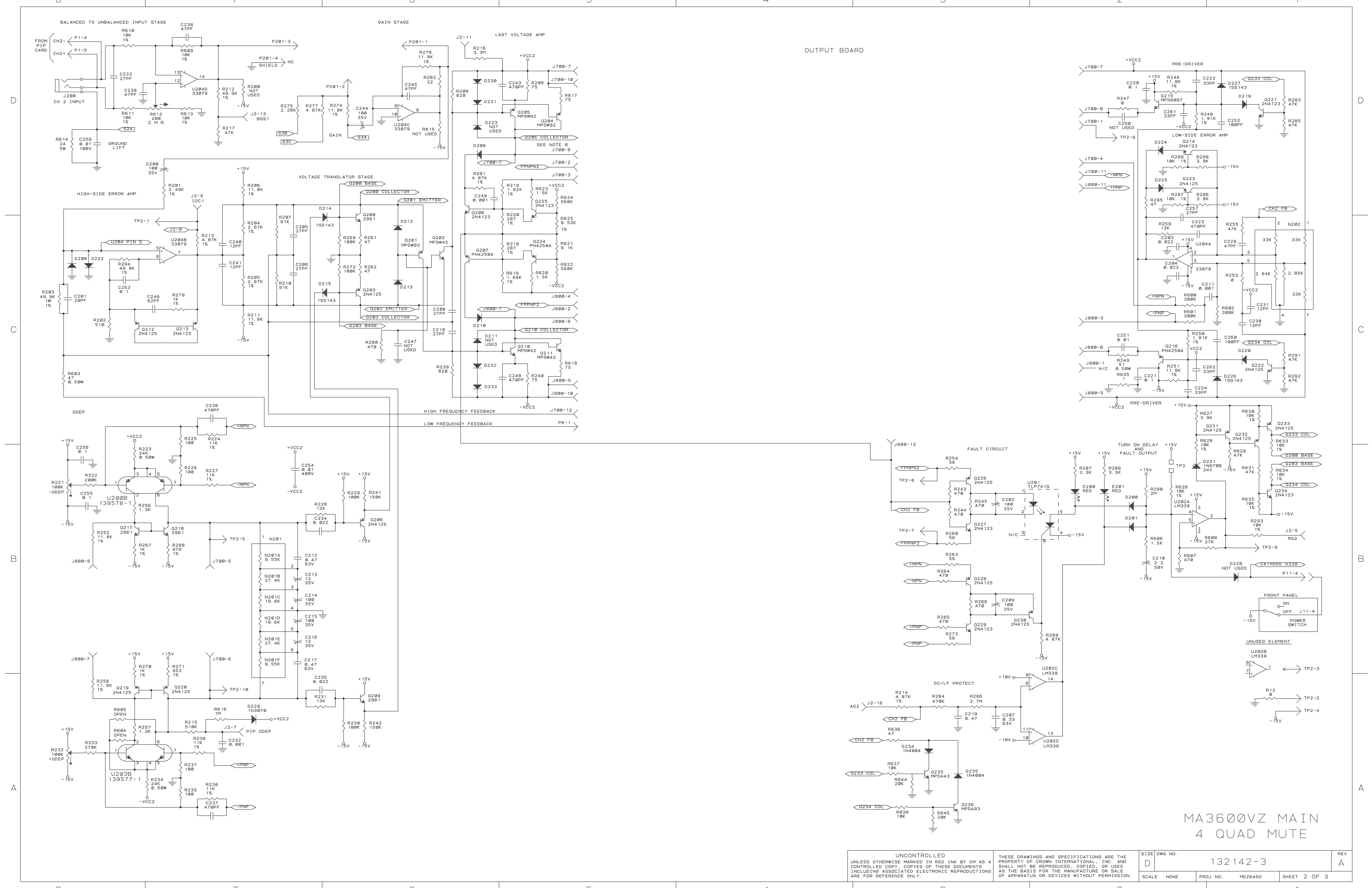
- NOTES:
- ALL RESISTORS ARE IN OHMS, 1/4W, 5% UNLESS OTHERWISE SPECIFIED.
 - ALL CAPACITORS ARE IN MICROFARADS UNLESS OTHERWISE SPECIFIED.
 - ALL DIODES ARE 1N4148 UNLESS OTHERWISE SPECIFIED.
 - ON J500 AND J700 THE STRIPED WIRE GOES TO PIN 12 OF THE BOARD AND THE PIN NUMBERS MOLDED ON THE CABLE SOCKET ARE REVERSED FROM THE PIN NUMBERS ON THE BOARD AND THE SCHEMATIC.
 - STANDARD UNIT HAS R10 OPEN. INSTALL JUMPER IN R10 TO DISABLE CHANNEL 2 SIGNAL INDICATOR LIGHT IN PARALLEL MONO MODE.
 - CHANNEL 2 PRE-DRIVER BASES LOOP THROUGH STEREO-MONO SWITCH S4, SECTIONS E AND F.
 - CHANNEL 1 SHOWN FOR CHANNEL 2 ADD 100 TO REFERENCE DESIGNATORS. (EXAMPLE: CHANNEL 1 R101 WOULD BE CHANNEL 2 R201.) CONNECTOR AND IC PIN NUMBERS FOR CHANNEL 2 ARE SHOWN IN PARENTHESES WHEN THEY DIFFER FROM CHANNEL 1. EXCEPTIONS ARE CHAN 1 J500 CORRESPONDS TO CHAN 2 J700, AND CHAN 1 J600 CORRESPONDS TO CHAN 2 J800.
 - SEE 132142-3.A.XLS FOR PWA DATA AND REVISION HISTORY.



DISTRIBUTION		TITLE	
FILENAME	132142-3.2.TIF	*PWA, MA3600VZ MAIN 4 QUAD MUTE	
DWN	KLW	03-29-06	
CH	DSV	7-14-06	
PE	SM	03-29-06	
SCALE	NONE	PROJ. NO.	MD26450
SIZE	DWG. NO.	SHEET	1 OF 3
			REV A



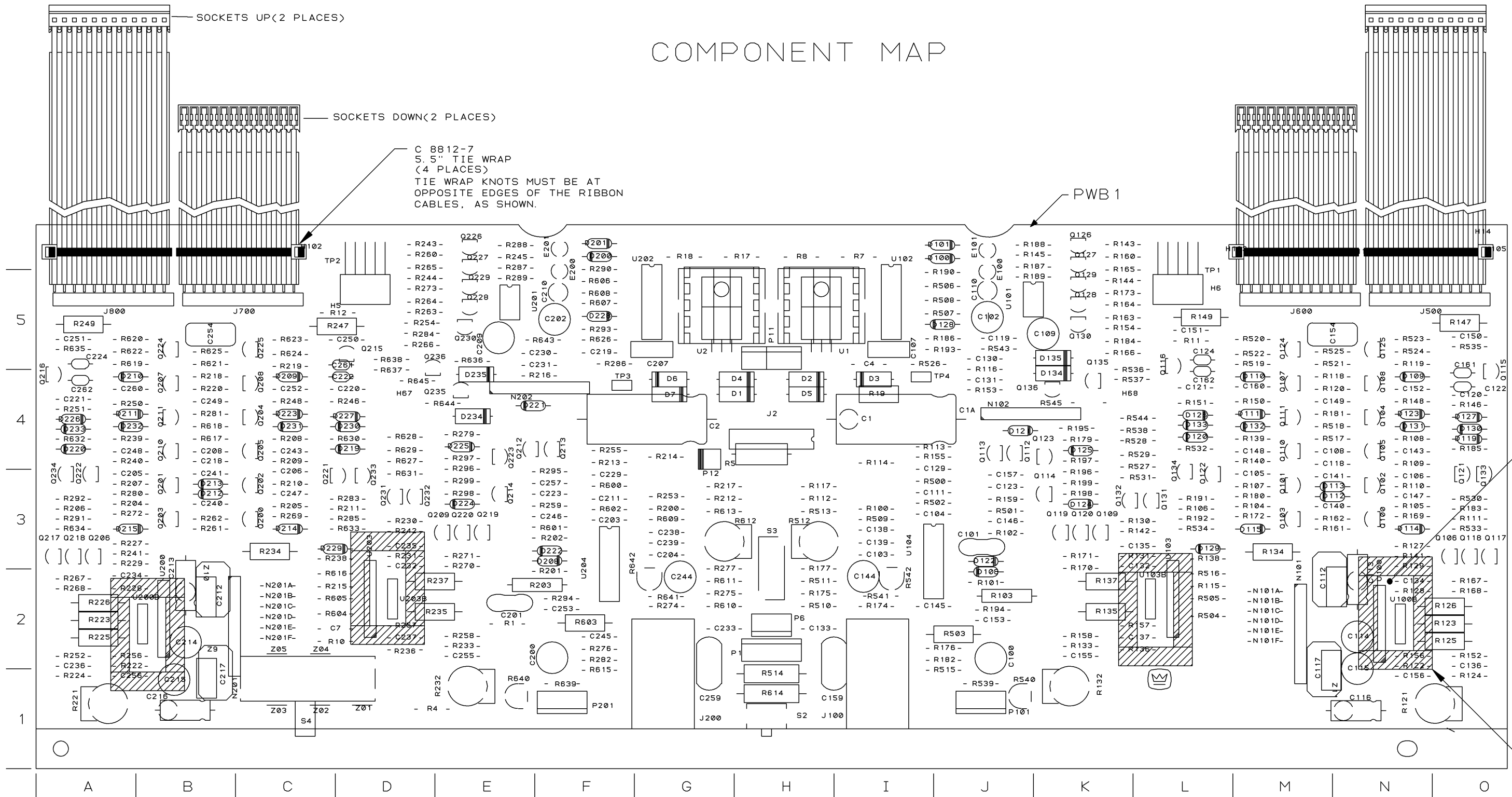
UNCONTROLLED UNLESS OTHERWISE MARKED IN RED INK BY CM AS A CONTROLLED COPY. COPIES OF THESE DOCUMENTS INCLUDING ASSOCIATED ELECTRONIC REPRODUCTIONS ARE FOR REFERENCE ONLY. THESE DRAWINGS AND SPECIFICATIONS ARE THE PROPERTY OF CROWN INTERNATIONAL, INC. AND SHALL NOT BE REPRODUCED, COPIED, OR USED AS THE BASIS FOR THE MANUFACTURE OR SALE OF APPARATUS OR DEVICES WITHOUT PERMISSION.



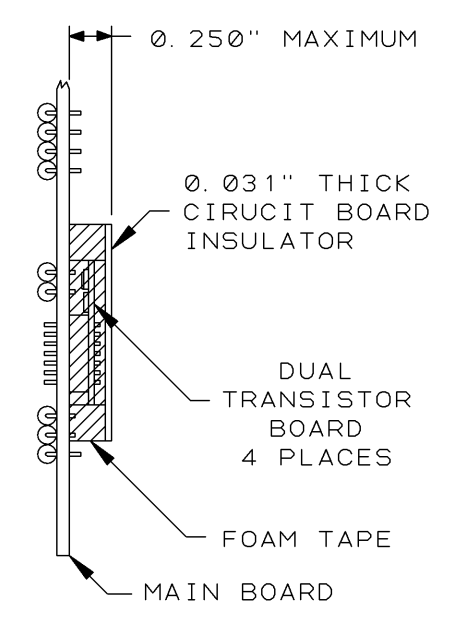
MA3600VZ MAIN
4 QUAD MUTE

UNCONTROLLED UNLESS OTHERWISE MARKED IN RED INK BY CM AS A CONTROLLED COPY. COPIES OF THESE DOCUMENTS INCLUDING ASSOCIATED ELECTRONIC REPRODUCTIONS ARE FOR REFERENCE ONLY.	THESE DRAWINGS AND SPECIFICATIONS ARE THE PROPERTY OF CROWN INTERNATIONAL, INC. AND SHALL NOT BE REPRODUCED, COPIED, OR USED AS THE BASIS FOR THE MANUFACTURE OR SALE OF APPARATUS OR DEVICES WITHOUT PERMISSION.	SIZE DWG NO. D 132142-3	REV A
SCALE NONE	PROJ NO. MD26450	SHEET 2 OF 3	

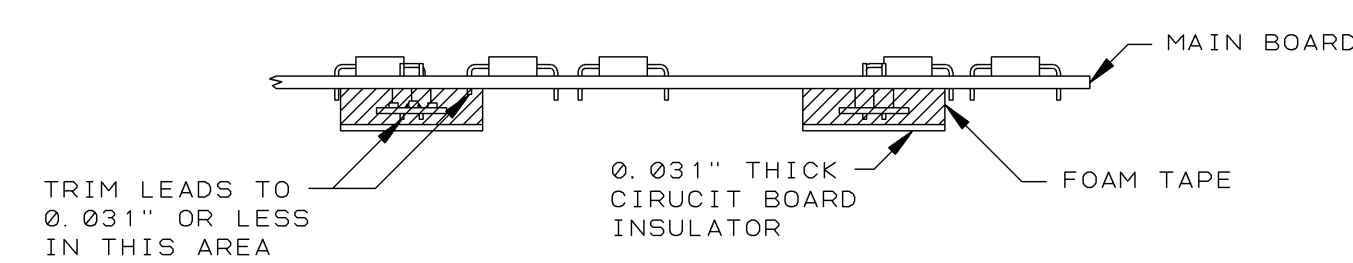
COMPONENT MAP



TRIM LEADS TO
Ø.031" OR LESS
IN THIS AREA
4 PLACES



FOAM TAPE SURROUNDING
DUAL TRANSISTOR BOARD
(BOTTOM SIDE OF BOARD)
4 PLACES



PWA, MA3600VZ MAIN 4 QUAD MUTE

UNCONTROLLED UNLESS OTHERWISE MARKED IN RED INK BY CM AS A CONTROLLED COPY. COPIES OF THESE DOCUMENTS INCLUDING ASSOCIATED ELECTRONIC REPRODUCTIONS ARE FOR REFERENCE ONLY.		THESE DRAWINGS AND SPECIFICATIONS ARE THE PROPERTY OF CROWN INTERNATIONAL, INC. AND SHALL NOT BE REPRODUCED, COPIED, OR USED AS THE BASIS FOR THE MANUFACTURE OR SALE OF APPARATUS OR DEVICES WITHOUT PERMISSION.		SIZE C	DWG NO. 132142-3	REV A
SCALE NONE	PROJ NO. MD26450	SHEET 3 OF 3				